

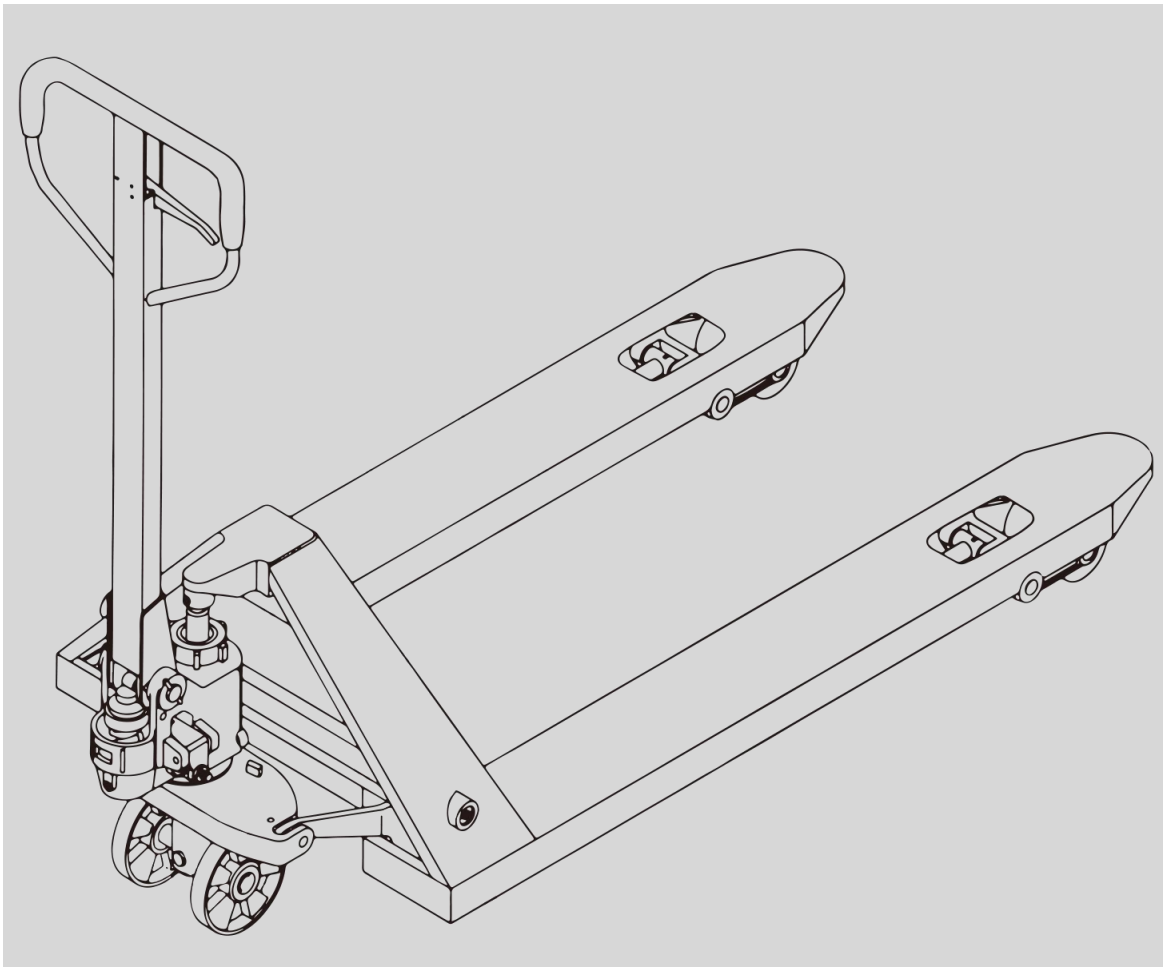
Operate manual & Parts manual

Hand Pallet Truck with BF Integrated Pump

WH20L-65 WH25L-65

PWH25-II PWH30-II PWH35-II

(85mm standard & 75mm profile)



Note: Owner and operator **MUST** read and understand this operating instructions before use this pallet truck.

ATTENTION:

1. The waste packages should be sorted and put into solid dustbins according to the materials and be collected disposal by local special environment protection bureau. To avoid pollution, it's forbidden to throw away the wastes randomly.
2. To avoid leaking during the use of the products, the user should prepare some absorbable materials (scraps of wooden or dry duster cloth) to absorb the leaking oil in time. To avoid second pollution to the environment, the used absorbable materials should be handed in to special departments in terms of local authorities.

Thank you for choosing our pallet truck. For your safety and correct operation, please carefully read the manual before use.

NOTE: All of the information reported herein is based on data available at the time of printing. The factory reserves the right to modify its own products at any time without notice or incurring in any sanction. Please verify with the factory for possible updates.

1. GENERAL SPECIFICATIONS

Model No.		WH20L-65 WH25L-65	PWH25-II	PWH30-II	PWH35-II
	Type	Profile		Standard (85mm)	
Min. Fork Height	mm	65	75	85	
Max. Fork Height	mm	180	190	200	
Load Capacity	kg	2000/2500	2500	3000	3500
Fork Length	mm	1150/1220			
Width Overall Forks	mm	520/540/685			
Individual Fork Width	mm	160			
Double load wheel	mm	Ø60*70	Ø74x70	Ø80x70	
Single load wheel	mm	Ø60*93	Ø74x93	Ø80x93	
Type of load wheel		Nylon or PU(Polyurethane)			
Steering Wheel size	mm	Ø160*50	Ø180*50	Ø200*50 or Ø180*50	
Type of steering wheel		Nylon or PU(Polyurethane) or Rubber			

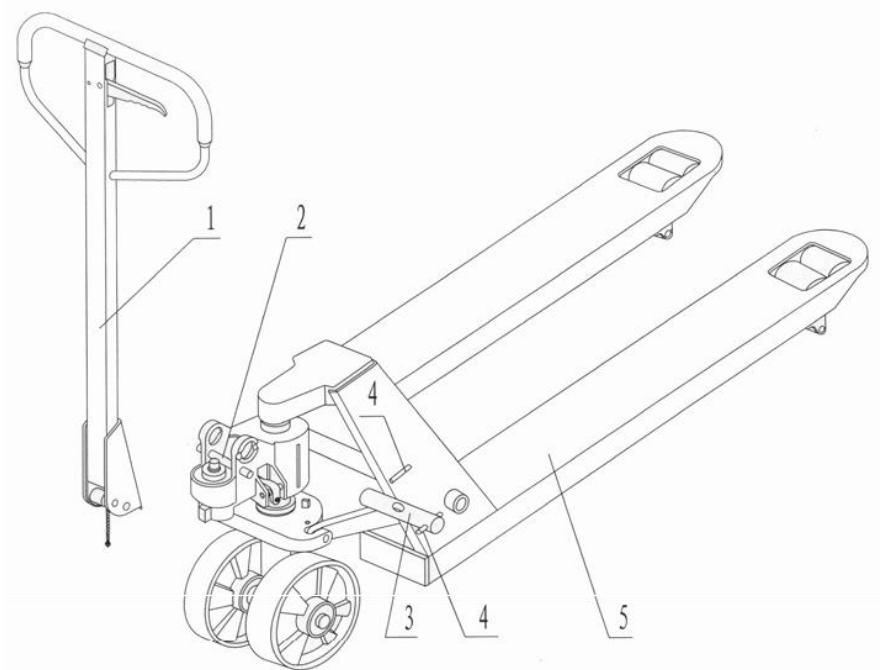
Special fork length are available 800, 900, 950, 1000, 1500, 2000mm.

Materials and specification are subject to change without notice.

2. TO ATTACH HANDLE TO PUMP UNIT

If you have purchased a wooden box of pallet truck, some assembly is required. Certainly, you need some tools, a hammer, a pliers, a spanner, etc; and some parts, one axle with hole, two elastic pins (**Note one is in the axle**), these parts are putted in a plastic bag, which is putted into the draw-bar.

NOTE: The number of draw-bar and pump should be the same.



1. Draw-bar 2. Pin 3. Axle with hole 4. Elastic pin 5. Fork frame
(Fig. 1)

When attaching the handle, you had better squat just behind the pallet truck. Then you:

2.1. Insert the draw-bar onto the pump piston (A), then use a hammer to insert the axle with hole(K) into the hydraulic pump and draw-bar **from the right to left**. (See fig. 2).



Fig.2

2.2. Let control handle to the 'LOWER' position, then pass the adjusting nut (G), adjusting bolt (F) and chain (E) through the hole of axle(K) with your hand (See fig. 3)

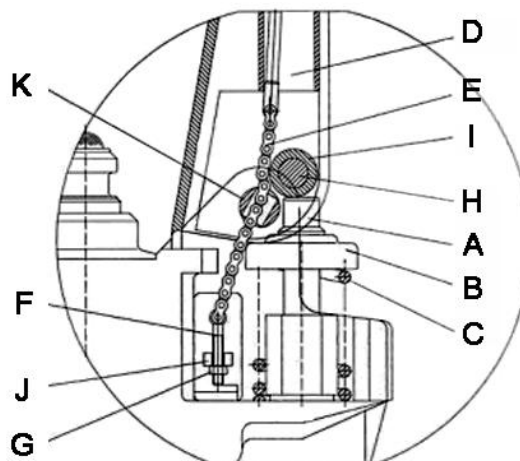


Fig.3

2.3. Press the draw-bar (D) down, take away the pin(#2) (See Fig. 1).

2.4. Let the control handle on 'RAISE' position, then raise the lever plate (J) with the pin (#2) and insert the adjusting bolt(F) into the front slot of lever plate, note to keep the adjusting nut (G) on the under side of the lever plate(J).

2.5 Use a hammer to tap another elastic pin into the axle with hole (K). The Draw-bar is now assembled to the pump.

3. TO ADJUST RELEASE DEVICE

On the draw-bar of this pallet truck, you can find the control handle which can be regulated in three positions :

Raise - handle down

Drive position - handle in center position

Lower - handle up, the lever moves back the drive position when released.

If however they have been changed, you can adjust according to following step:

3.1 If the forks elevate while pumping in the **DRIVE** position, turn the adjusting nut on the adjusting bolt or adjusting screw clockwise until pumping action does not raise the forks and the **DRIVE** position functions properly.

3.2 If the forks descend while pumping in the **DRIVE** position, turn the nut or adjusting screw counter-clockwise until the forks do not lower.

3.3 If the forks do not descent when the control handle is in the **LOWER** position, turn the nut or adjusting screw clockwise until raising the control handle lowers the forks. Then check the **DRIVE** position according to item 3.1 and 3.2 to be sure the nut or adjusting screw is in the proper position.

3.4 If the forks do not elevate while pumping in the **RAISE** position, turn the nut or adjusting screw counter-clockwise until the forks elevate while pumping in the **RAISE** position. Then check the **LOWER** and **DRIVE** position according to item 3.1, 3.2 and 3.3.

4.

5. MAINTENANCE

Your pallet truck is largely maintenance-free.

4.1 Hydraulic Oil

Please check the oil level every six months. The oil capacity is about 0.3lt. Use the hydraulic type oil according to temperature scale below.

Temperature	Oil
-20°C~+40°C	L-HV46 Hydraulic oil

4.2 HOW TO EXPEL AIR FROM THE PUMP UNIT

The air may come into the hydraulic oil because of transportation or pump in upset position. It can cause that the forks do not elevate while pumping in the **RAISE** position. The air can be banished in the following way: let the control handle on the **LOWER** position, then move the handle up and down for several times.

4.3 DAILY CHECK AND MAINTENANCE

Daily check of the pallet truck can limit wear as much as possible. Special attention should be paid to the wheels, the axles, as thread, rags, etc. It may block the wheels. The forks should be unloaded and lowered in the lowest position when the job is over.

4.4 LUBRICATION

Use motor oil or grease to lubricate all moveable parts.

6. GUIDE TO SAFETY OPERATION

For safe operation of the Hand Pallet Truck, please read all warning signs and instructions here and on the pallet truck prior to use.

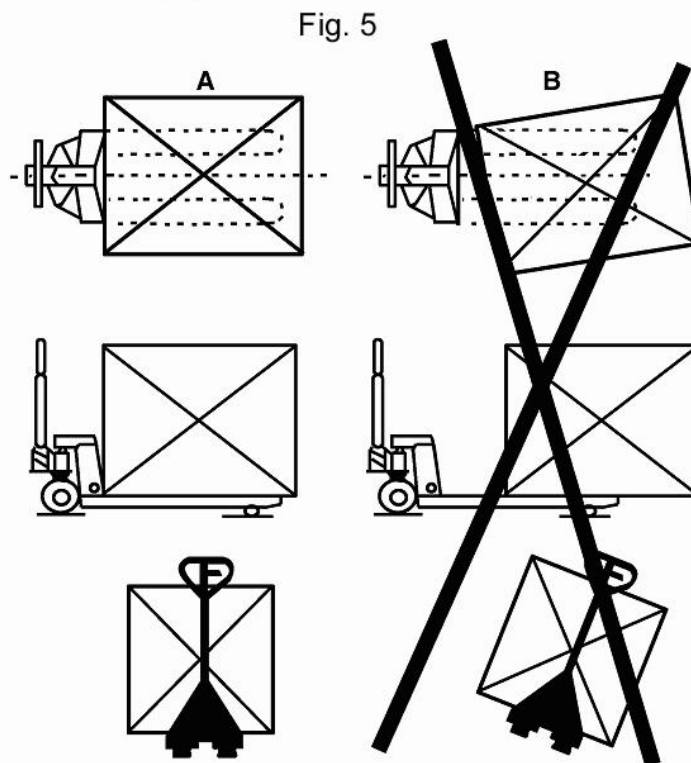
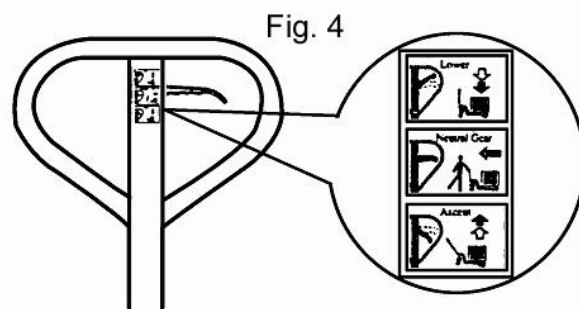
- 6.1 Do not operate the pallet truck unless you are familiar with it and have been trained or authorized to do so.
- 6.2 Do not operate the truck unless you have been trained and authorized. Give special attention to the wheels, the handle assembly, the forks, and the lower control.
- 5.3 Do not use the truck on sloping ground.
- 5.4 Never place any part of your body in the lifting mechanism or under the forks or load. Do not carry passengers.
- 5.5 We advise that operators should wear gloves and safety shoes.
- 5.6 Do not handle unstable or loosely stacked loads.
- 5.7 Do not overload the truck.
- 5.8 Always place loads centrally across the forks and not at the end of the forks (See Fig. 2).
- 5.9 The capacity of the truck assumes an evenly distributed load with the centre of the load being at the halfway point of the length of the forks.
- 5.10 Make sure that length of the forks matches the length of the pallet.
- 5.11 Lower the forks to lowest height when the truck is not being used.
- 5.12 In other specific conditions the operators should take extra care in operating the truck.

6. TROUBLES SHOOTING

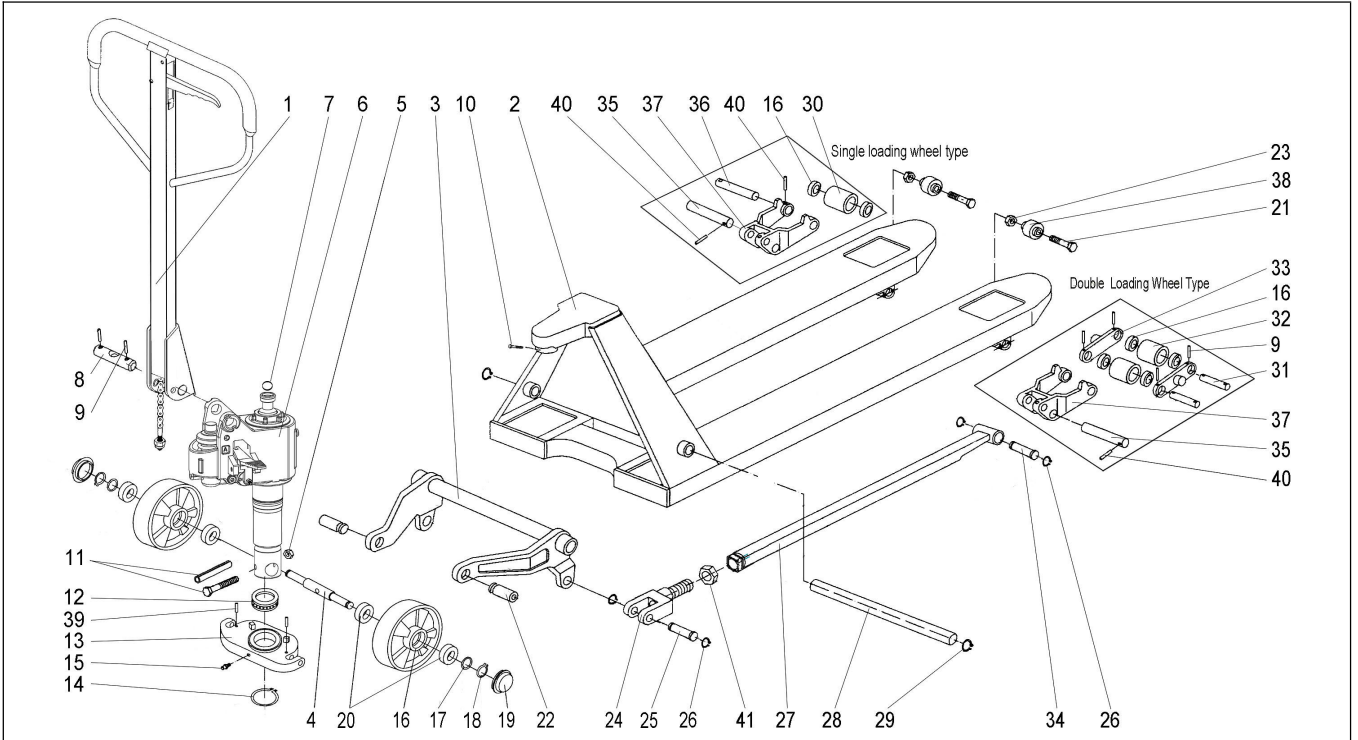
No	Trouble	CAUSE	ACTION
1	The forks can not be up the max. height.	- The hydraulic oil is not enough.	- Pour in the oil.
2	The forks can not be lifted up.	- Without hydraulic oil. - The oil has impurities. - The nut is too high or the screw is too close, keep the pumping valve open. - Air come into the hydraulic oil.	- Fill in the oil. - Change the oil. - Adjust the nut or the screw .(see item 3.4) - Banish the air.(see item 4.2)
3	The forks can not be descended.	- The piston rod or pump body is deformed resulting from partial loading slanting to one side or over-loading. - The fork was kept in the high position for long time with piston rod bared to arise in rusting and jamming of the rod. - The adjusting nut or the screw is not in the correct position.	- Replace the piston rod or pump body. - Keeping the fork in the lowest position if not using, and pay more attention to lubricate the rod. - Adjust the nut or the screw. (see item 3.3)
4	Leaks	- Sealing parts worn or damaged. - Some part cracked or worn into small.	- Replace with the new one. - Replace with the new one.

5	The fork descends without the release valve worked.	<ul style="list-style-type: none"> - The impurities in the oil cause the release valve to be unable to close tight. - Some parts of hydraulic system is cracked or bored. - Air come into the oil. - Sealing parts worn or damaged. - The adjusting nut or the screw is not in the correct position. 	<ul style="list-style-type: none"> - Replace with new oil. - Inspect and replace the waste parts. - Banish the air. (See item 4.2) - Replace with the new one. - Adjusting the nut or the screw . (See item 3.2)
---	---	---	---

***NOTE: DO NOT ATTEMPT TO REPAIR THE PALLET TRUCK UNLESS YOU ARE TRAINED AND AUTHORIZED TO DO SO.**

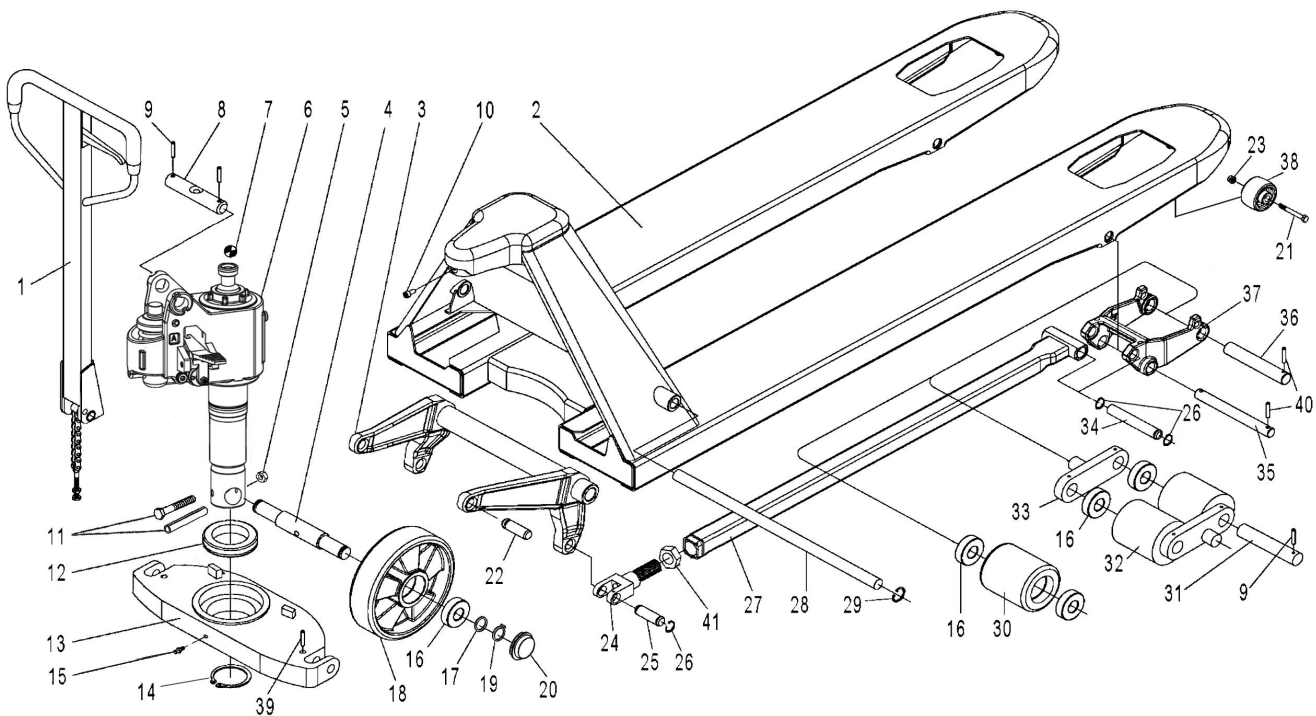


General parts for PWH25-II/PWH30-II/PWH35-II



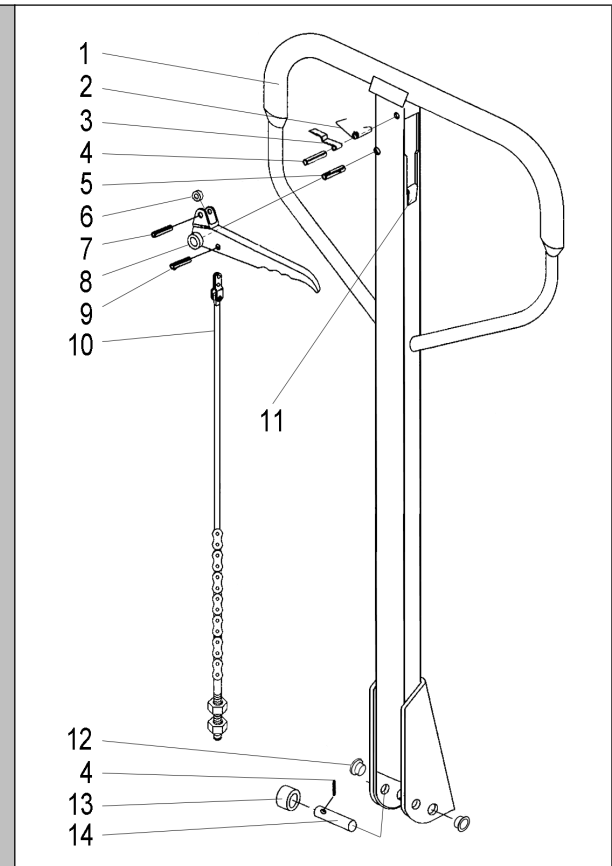
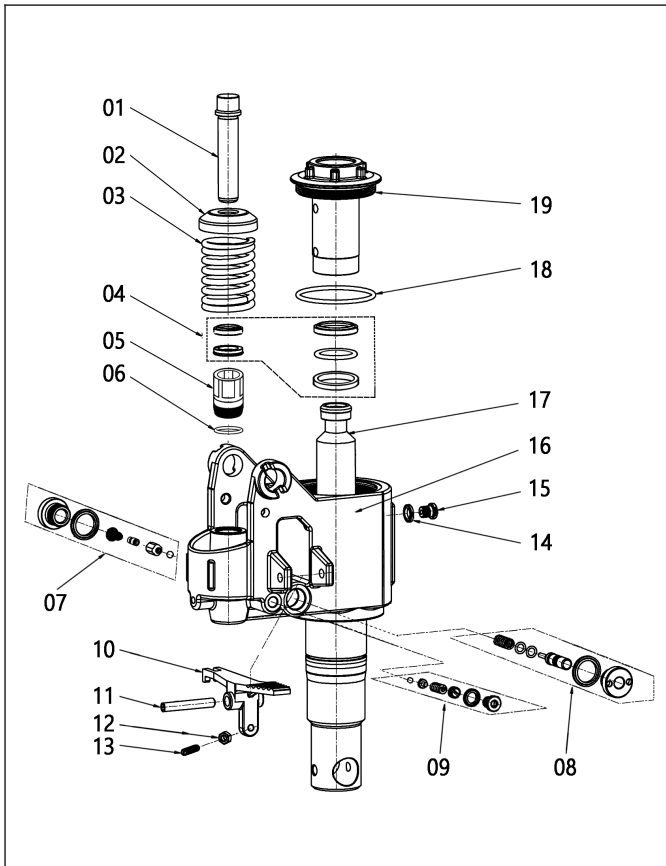
No	Part No.	Description	Qty	No	Part No.	Description	Qty
1	17010101	Handle assembly	1	20	17010116	PU Steering wheel Ø180*50	2
2	17010102	Chasis (540*1150) (2.5T/3T)	1		17010117	Nylon Steering wheel Ø180*50	2
	17010102-1	Chasis (685*1220) (2.5T/3T)	1		17010116-1	PU Steering wheel Ø200*50	2
	17010102-2	Chasis (540*1150) (3.5T)	1		17010117-1	Nylon Steering wheel Ø200*50	2
	17010102-3	Chasis (685*1220) (3.5T)	1		17010116-2	Rubber Steering wheel Ø180*50	2
3	17010103	Rocker arm 550 (2.5T/3T)	1		17010117-2	Rubber Steering wheel Ø200*50	2
	17010104	Rocker arm 685 (2.5T/3T)	1		21	17010123	Hex bolt M6×50
	17010103-1	Rocker arm 550 for (3.5T)	1	22	17010124	Axle 16×40	12
	17010104-1	Rocker arm 685 for (3.5T)	1	23	17010143	Locknut M6	2
4	17010105	Steering wheel shaft 25*170	1	24	17010126	Rod end	2
5	17010106	Locknut M8(Matching with item 11)	1	25	17010127	Axle 16×49	2
6	17010107	BF pump assembly (2.5T/3T) with Ø180 steering wheel	1	26	17010128	Snap ring 16	6
	17010107-1	BF pump assembly (2.5T/3T) with Ø200 steering wheel	1	27	17010129	Push rod 1150 (2.5T/3T)	2
	17010107-2	BF pump assembly (3.5T) with Ø180 steering wheel	1		17010129-1	Push rod 1220 (2.5T/3T)	2
	17010107-3	BF pump assembly (3.5T) with Ø200 steering wheel	1		17010129-2	Push rod 1150 (3.5T)	2
				17010129-3	Push rod 1220 (3.5T)	2	
7	17010108	Steel ball Φ19	1	28	17010130	Rocker shaft 550	1
8	17010109	Shaft for handle 20*103	1	28	17010130-1	Rocker shaft 685	1
9	17010110	Spring pin 5×35	1/9		29	17010131	Snap ring 25
10	17010111	Hex screw M6×12	1	30	17010132	PU single load wheel Ø80*93	2
11	17010112	Bolt M8×55(Matching with item 5)	1		17010133	Nylon single load wheel Ø80*93	2
	17010112-1	Spring pin 8*50 (New design)	1	31	17010134	Axle 20×94	4
12	17010113	Bearing 51111	1	32	17010135	PU double load wheel Ø80*70	4
13	17010114	Supporting seat	1		17010136	Nylon Double load wheel Ø80*70	4
14	17010115	Snap ring 55	1	33	17010137	Plate	4
15	17010120	Grease nipple	1	34	17010138	Shaft 16×92	2
16	17010118	Bearing 6204-2RS	8/12	35	17010139	Shaft 20×154	2
17	17010119	Gasket	2	36	17010140	Shaft 20×122	2
18	17010121	Snap ring 20	2	37	17010141	Wheel fork	2
19	17010122	Dust cap	2	38	17010144	Wheel 50×36	2
				39	17010125	Spring pin 5×30	2
				40	17010145	Spring pin 5×32	2/4
				41	17010142	Nut M20*9	2

**General parts for WH20L-65/WH25L-65(with 65mm profile)
& PWH25-II-75(with 75mm profile)**



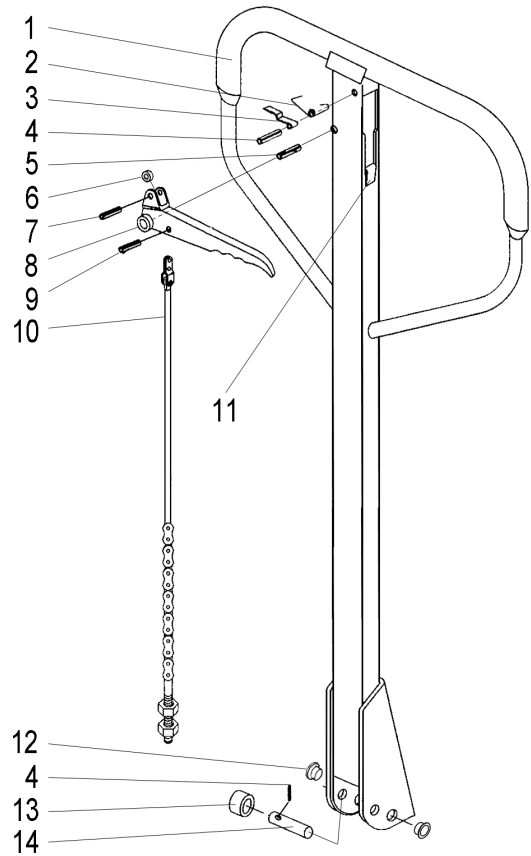
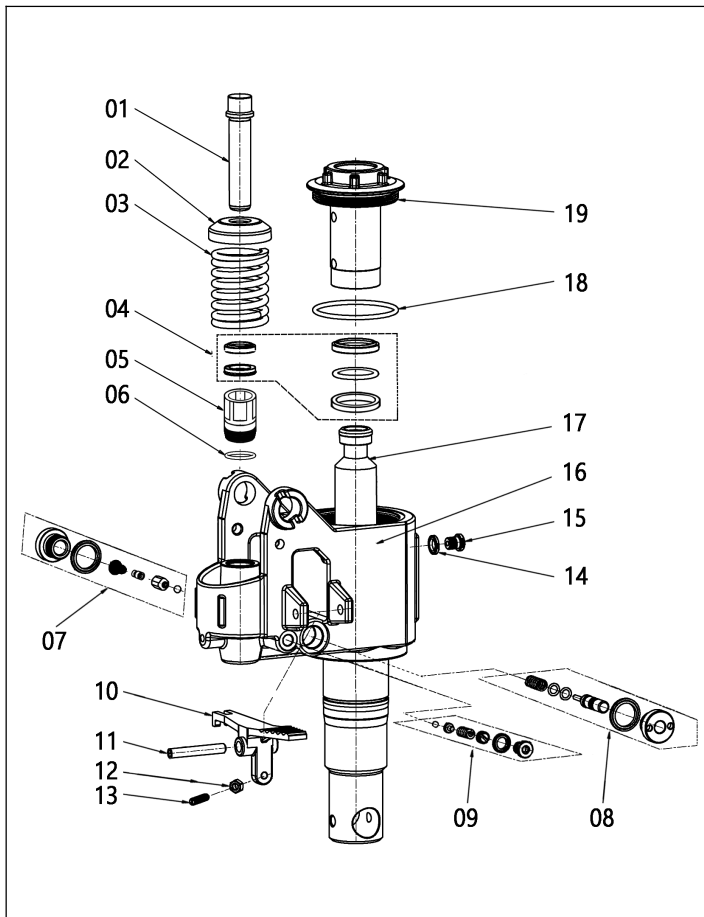
No	New P/N	Description	QTY	No	New P/N	Description	QTY
1	17010101	Handle assembly	1	22	17010124	Axle 16×40	12
2	17010102	Chasis (540*1150) (75 low profile)	1	23	17010143	Locknut M6	2
	17010102-1	Chasis (685*1220) (75 low profile)	1	24	17010126	Rod end	2
	17010102-2	Chasis (540*1150) (65 low profile)	1	25	17010127	Axle 16×49	2
	17010102-3	Chasis (685*1220) (65 low profile)	1	26	17010128	Snap ring 16	4
3	17010103	Rocker arm 550	1	27	17010129	Push rod 1150	2
	17010104	Rocker arm 685	1		17010129-1	Push rod 1220	2
4	17010105	Steering wheel shaft 25*170	1	28	17010130	Rocker shaft 550	1
5	17010106	Locknut M8(Matching with item 11)	1		17010130-1	Rocker shaft 685	1
6	17010107-1	BFi pump assembly for (75 low profile)	1	29	17010131	Snap ring 25	2
	17010107-4	BFi pump assembly for (65 low profile)	1	30	17010132-2	PU single load wheel Ø74*93 (75 low profile)	2
7	17010108	Steel ball Φ19	1	30	17010133-6	Nylon Single load wheel Ø74*93 (75 low profile)	2
8	17010109	Shaft for handle 20*103	1	30	17990008-4	PU single load wheel Ø60*93 (65 low profile)	2
9	17010110	Spring pin 5×35	12/16	30	17990008-5	Nylon Single load wheel Ø60*93 (65 low profile)	2
10	17010111	Hex screw M6×12	1	31	17010134	Axle 20×94 (75 low profile)	4
11	17010112	Bolt M8×55(Matching with item 5)	1		17010134-1	Axle 17×94 (65 low profile)	4
	17010112-1	Spring pin 8*50 (New design)	1	32	17990008	PU Double load wheel Ø74*70 (75 low profile)	4
	12	17010113	Bearing 51111		1	17990008-2	Nylon Double load wheel Ø74*70 (75 low profile)
13	17010114	Supporting seat	1		17990008-6	PU Double load wheel Ø60*70 (65 low profile)	4
14	17010115	Snap ring 55	1		17990008-7	Nylon Double load wheel Ø60*70 (65 low profile)	4
15	17010120	Grease nipple	1	33	17010137	Plate (75 low profile)	4
16	17010118	Bearing 6204-2RS (75 low profile)	8/12		17010137-1	Plate small (65 low profile)	4
	17010118-1	Bearing 6203-2RS (65 low profile)	8/12	34	17010138	Shaft 16×92	2
17	17010119	Gasket	2	35	17010139-1	Shaft 16*152 (75 low profile)	2
18	17010116	PU Steering wheel Ø180 (75 low profile)	2		17010139-1	Shaft 16*154 (65 low profile)	2
	17010117	Nylon Steering wheel Ø180 (75 low profile)	2	36	17010140	Shaft 20×122	2
	17010116-2	Rubber Steering wheel Ø180 (75 low profile)	2	37	17010141	Wheel fork (75 low profile)	2
	17020112	PU Steering wheel Ø160 (65 low profile)	2		17010141-1	Wheel fork (65 low profile)	2
	17020113	Nylon Steering wheel Ø160 (65 low profile)	2	38	17010144	Wheel 50×36	2
	17020113-2	Rubber Steering wheel Ø160 (65 low profile)	2	39	17010125	Spring pin 5×30	2
19	17010121	Snap ring 20	2	40	17010145	Spring pin 5×32	2/4
20	17010122	Dust cap	2	41	17010142	Nut M20*9	2
21	17010123	Hex bolt M6×50	2				

Pump & handle parts details PWH25-II PWH30-II



No.	Part No.	Description	Qty	Item	Parts No.	Parts details	Qty
01	17010201	Small pump core	1	1	17010316	Draw-bar	1
02	17010202	Cover of spring	1	2	17010327	Torsional Spring	1
03	17010205	Big spring	1	3	17010310	Blade Spring	1
04	17010332	Pump seals kit Ø31.5 for 2.5T/3T	1	4	17010311	Spring Pin 4x30	2
05	17010360	Small cylinder	1	5	17010314	Spring Pin 6x30	1
06	17010361	Copper gasket	1	6	17010312	Roller	1
07	17010328	Check valve	1	7	17010313	Spring Pin 4x17	1
08	17010330	Relief valve	1	8	17010315	Control Handle	1
09	17010329	Safety valve	1	9	17010333	Spring Pin 4x13	1
10	17010302	Lever plate	1	10	17010335	Release rod & chain assy.	1
11	17010303	Spring pin 8×50	1	11	17010331	Rubber pad	1
12	17010227	Nut	1	12	17010325	Bushing 20*15	2
13	17010301	Bolt	1	13	17010318	Pressure Roller 26*14*22	1
14	17010219	Seal washer	1	14	17010317	Roller Axle 12*60	1
15	17010220	Bolt	1				
16	17010213	Pump body	1				
17	17010309	Piston rod Ø31.5 for 2.5T/3T	1				
18	17010305	O-ring 69×2.65	1				
19	17010306	Slide bushing Ø31.5 for 2.5T/3T	1				

Pump & handle parts details for PWH35-II

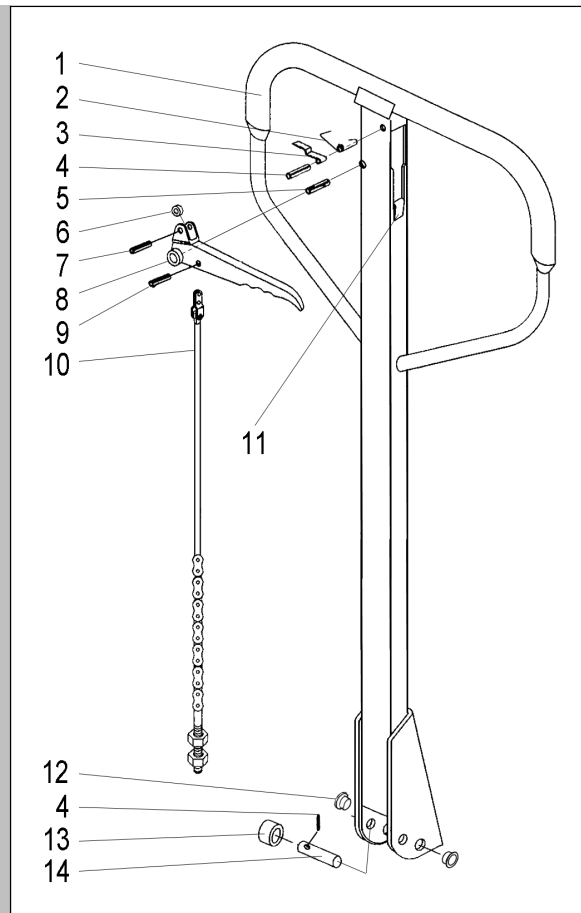
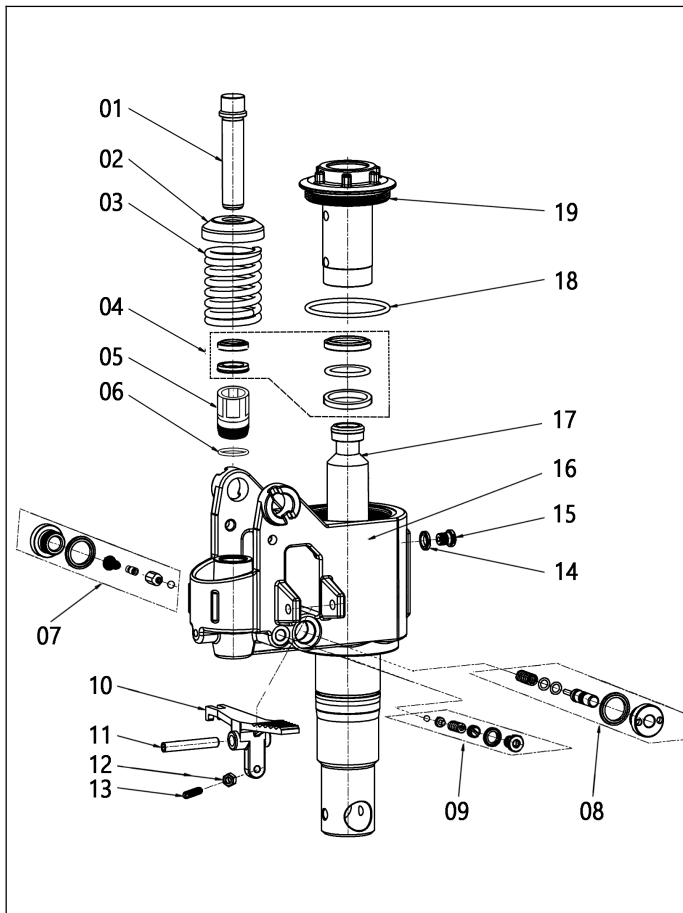


Item	Parts No.	Parts details	Qty.
01	17010201	Small pump core	1
02	17010202	Cover of spring	1
03	17010205	Big spring	1
04	17010332-1	Pump seals kit Ø35 for 3.5T	1
05	17010360	Small cylinder	1
06	17010361	Copper gasket	1
07	17010328	Check valve	1
08	17010330	Relief valve	1
09	17010329	Safety valve	1
10	17010302	Lever plate	1
11	17010303	Spring pin 8×50	1
12	17010227	Nut	1
13	17010301	Bolt	1
14	17010219	Seal washer	1
15	17010220	Bolt	1
16	17010213	Pump body	1
17	17010309-2	Piston rod Ø35 for 3.5T	1
18	17010305	O-ring 69×2.65	1
19	17010306-2	Slide bushing Ø35 for 3.5T	1

Item	Parts No.	Parts details	Qty.
1	17010316	Draw-bar	1
2	17010327	Torsional Spring	1
3	17010310	Blade Spring	1
4	17010311	Spring Pin 4x30	2
5	17010314	Spring Pin 6x30	1
6	17010312	Roller	1
7	17010313	Spring Pin 4x17	1
8	17010315	Control Handle	1
9	17010333	Spring Pin 4x13	1
10	17010335	Release rod & chain assy.	1
11	17010331	Rubber pad	1
12	17010325	Bushing 20*15	2
13	17010318	Pressure Roller 26*14*22	1
14	17010317	Roller Axle 12*60	1

Pump & handle parts details

WH20L-65/WH25L-65 & PWH25-II-75(with 75mm profile)



No.	New P/N	Description	QTY	Item	Parts No.	Parts details	Qty.
01	17010201	Small pump core	1	1	17010316	Draw-bar	1
02	17010202	Cover of spring	1	2	17010327	Torsional Spring	1
03	17010205	Big spring	1	3	17010310	Blade Spring	1
04	17010332	Pump seal kits	1	4	17010311	Spring Pin 4x30	2
05	17010360	Small cylinder	1	5	17010314	Spring Pin 6x30	1
06	17010361	Copper gasket	1	6	17010312	Roller	1
07	17010328	Check valve	1	7	17010313	Spring Pin 4x17	1
08	17010330	Relief valve	1	8	17010315	Control Handle	1
09	17010329	Safety valve	1	9	17010333	Spring Pin 4x13	1
10	17010302	Lever plate	1	10	17010335	Release rod & chain assy.	1
11	17010303	Spring pin 8x50	1	11	17010331	Rubber pad	1
12	17010227	Nut	1	12	17010325	Bushing 20*15	2
13	17010301	Bolt	1	13	17010318	Pressure Roller 26*14*22	1
14	17010219	Seal washer	1	14	17010317	Roller Axle 12*60	1
15	17010220	Bolt	1				
16	17010213	Pump body	1				
17	17010309	Piston rod standard for 75 low profile	1				
	17010309-1	Piston rod special for 65 low profile	1				
18	17010305	O-ring 69x2.65	1				
19	17010306	Slide bushing Ø31.5	1				